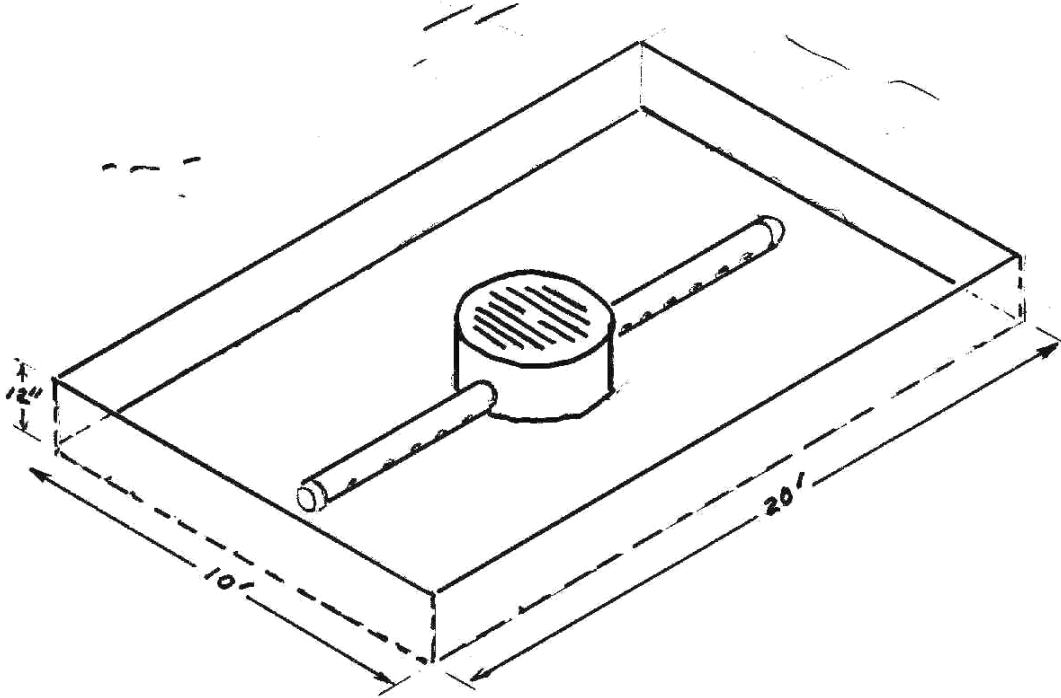


**YOUR OWN PERVIOUS INSTALLATION**  
(Repair a parking lot drainage inlet with a miniature detention system)



(Similar shape of one automobile parking stall which often measures about 9 ft x 19 ft)

**Scope of work**

Saw outline; excavate; cut holes in inlet for pipe; line excavation with filter fabric and/or plastic sheeting; install perforated pipe; install layer of clean aggregate; place, roll, joint and cure pervious concrete.

**Estimated quantities**

**Removal**

60 lf – pavement sawing

8 yd<sup>3</sup> – excavation

Cut two openings in inlet wall large enough for 6 in. dia. pipe

**Installation**

4 yd<sup>3</sup> - pervious concrete

4 yd<sup>3</sup> - No. 57 clean aggregate

2 – 10 ft lengths of 6 in. dia. Perforated plastic pipe

2 – 6 in. dia. Plastic pipe end caps

10 lf – 6 in. x ½ in. thick, isolation joint material (enough to surround inlet)

200 ft<sup>2</sup> – 15 mil plastic sheeting (10 ft x 20 ft, for bottom of excavation)

60 ft<sup>2</sup> – non-woven filter fabric (1 ft x 60 ft, for walls of excavation)

Cement grout – enough for securing pipes in inlet walls

Mastic adhesive – enough for securing top edge of filter fabric to walls of excavation

## FOR ASSISTANCE WITH YOUR OWN PERVIOUS INSTALLATION

### **New websites for pervious concrete information (and more)**

[www.concretethinker.com](http://www.concretethinker.com)

Click on “TAKE THE TOUR!”

Click on “Next”

Click on the “Pervious pavement” balloon near the center of the 3-D city

Click on “Learn more”

[www.perviouspavement.org](http://www.perviouspavement.org)

### **Web addresses for pervious concrete specifications**

California/Nevada - <http://www.concreteresources.net/cd/>

Georgia - [http://www.gcpa.org/pervious\\_concrete\\_pavement.htm](http://www.gcpa.org/pervious_concrete_pavement.htm)

Southeast Cement Association - <http://www.pervious.info/>



### **Ohio Ready Mixed Concrete Association**

1900 E. Dublin-Granville Rd., 108A

PO Box 29190

Columbus, OH 43229

614/891-0210; Fax 614/891-2675

E-mail: [ormca@ohioconcrete.org](mailto:ormca@ohioconcrete.org)

Website: [www.ohioconcrete.org](http://www.ohioconcrete.org)